

# SAUNA CHALEUR DE LUXE



### Standard Equipment:

- \* Inside and outside finish in Canadian red cedar, hemlock or aspen wood;
- \* Benches, backrest, oven protection grid and duckboard in ayous;
- \* Natural stone strips back wall: choice of 4 different types;
- \* Glazed front in 8mm clear tempered glass, incl. door 690mm;
- \* Stainless steel hinges; vertical handle (stainless steel outside/wooden handle inside);
- \* Alpha adaptive smart control \*!
- \* Oven "Tower Heat" 12kW oven (except model 200x175cm, 9kW "Tower Heat" oven);
- \* Starlight set, LED starry sky: 150 starlights 2mm; 15 starlights 4mm, 8 starlights 6mm;
- \* Bluetooth connection incl. 2 speakers;
- \* Headrests, thermometer, sauna set;
- \* Door rabbit on the other side to be mentioned on the purchase order without additional costs;
- \* Extra charge for bespoke models.
- \* Additional customization possible with additional costs.

### Info Note

Please refer to page "Veneered boards range" to select a finish.

### Sauna for Public Use

\* Acronym RP - Trade Price

	Art.No	RP
* Digital control unit Emotec D to be installed outside or remotely	339966	
* Inside wood (18mm)		
* Glass door 1940x800x8mm		
* Extra wall and roof insulation		
* Panic button		
* Floor anti-slip mat		
* Exhaust fan		
* Benching style adjusted for professional use		

### Options:

\* Acronym RP - Trade Price

	Art.No	RP
* Glass front without wooden frame on the bottom part, stainless steel doorstep	339909	
* Pivot system for glazed fronts (client to foresee recess in the floor).	339911	
* <b>NEW</b> Extra charge for BIO option for Sauna	339065	
* Painted hinges and handle		

### Natural Stone:



Unique stone colours enable to create a unique impression, also different types of stone can be combined:

- Four unique shades of colour;
- Different sizes and colors available on demand;
- Suitable for indoor and outdoor use.

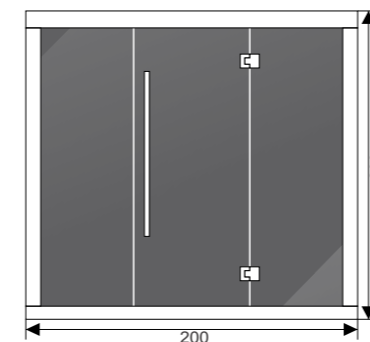
Prices are excl. VAT, delivery EXW Hasselt

\*The pictures are not contractually binding!

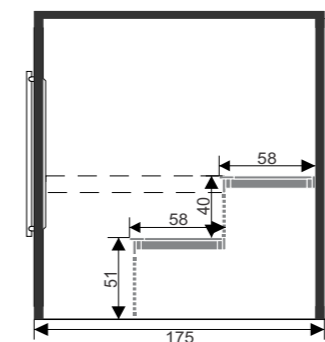
\*! Availability to be confirmed afterwards

\*5cm air gap should be allowed between the walls of the infrared/traditional sauna and the walls of the room.

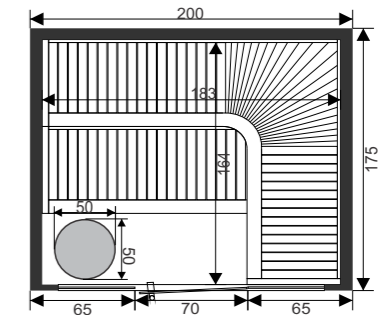
### MODEL 200x175x200CM 2-4 PERS.



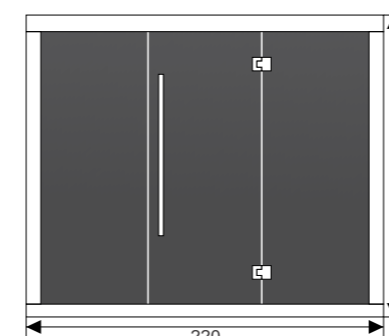
Art. No: 339807  
RP.



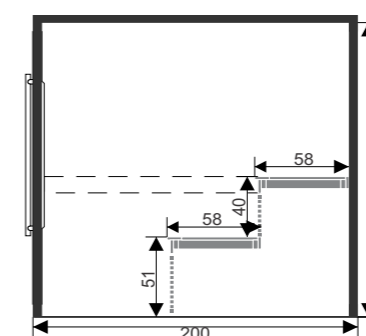
**Packaging & Transport:** Depth: 90 cm Height: 225 cm  
Width: 200 cm Weight: 750 kg



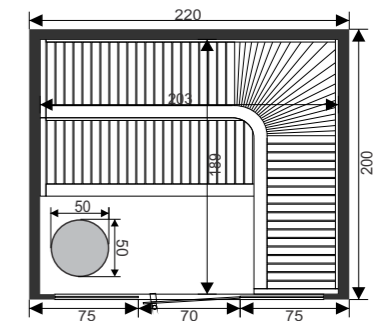
### MODEL 220x200x200CM 3-6 PERS.



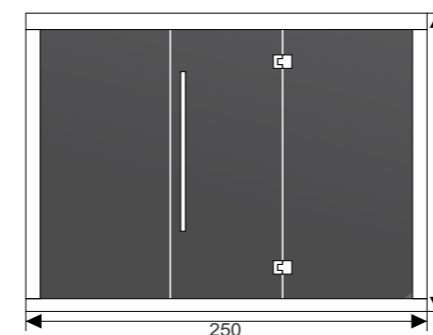
Art. No: 339808  
RP.



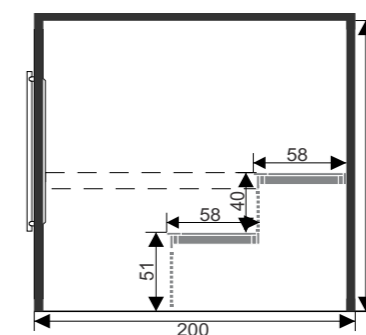
**Packaging & Transport:** Depth: 90 cm Height: 225 cm  
Width: 220 cm Weight: 823 kg



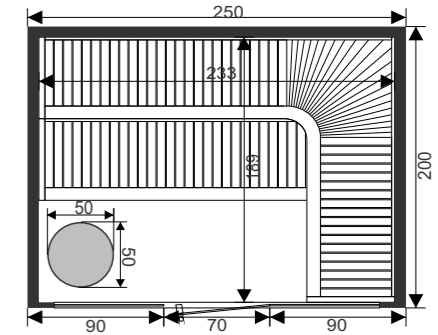
### MODEL 250x200x200CM 3-6 PERS.



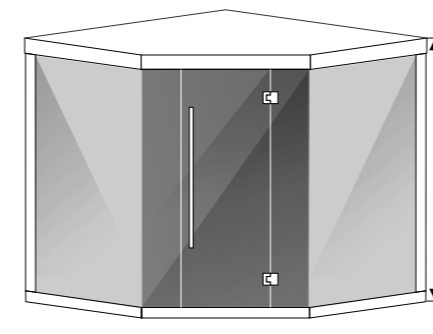
Art. No: 339804  
RP.



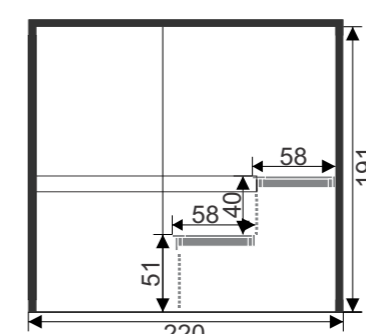
**Packaging & Transport:** Depth: 90 cm Height: 225 cm  
Width: 250 cm Weight: 890 kg



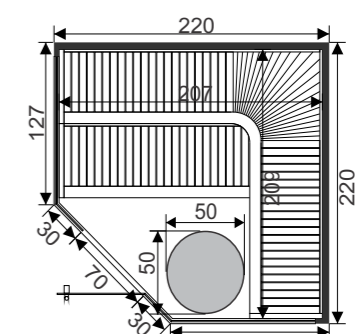
### MODEL 220x220x200CM Pentagon 3-6 PERS.



Art. No: 339809  
RP.



**Packaging & Transport:** Depth: 90 cm Height: 225 cm  
Width: 220 cm Weight: 964 kg



Prices are excl. VAT, delivery EXW Hasselt

\*The pictures are not contractually binding!

\*! Availability to be confirmed afterwards

\*5cm air gap should be allowed between the walls of the infrared/traditional sauna and the walls of the room.